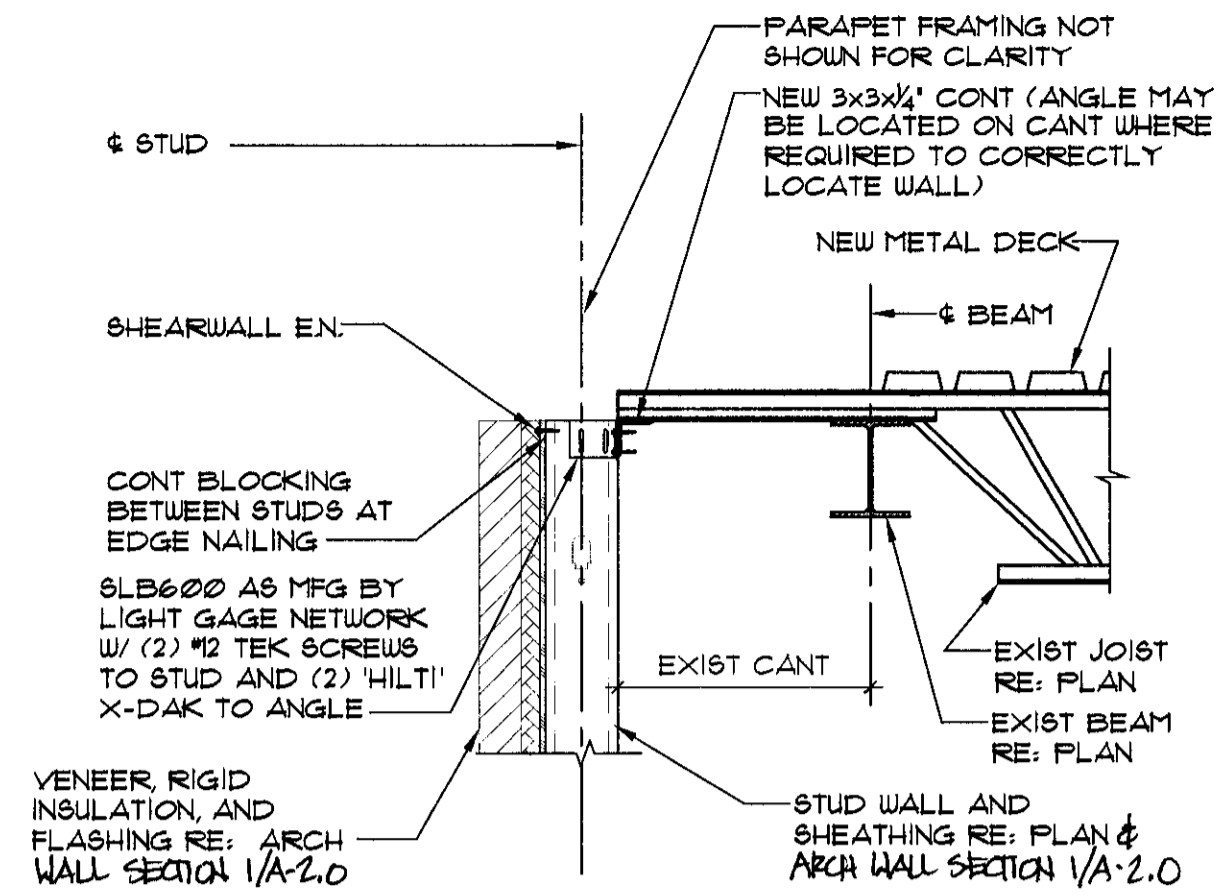


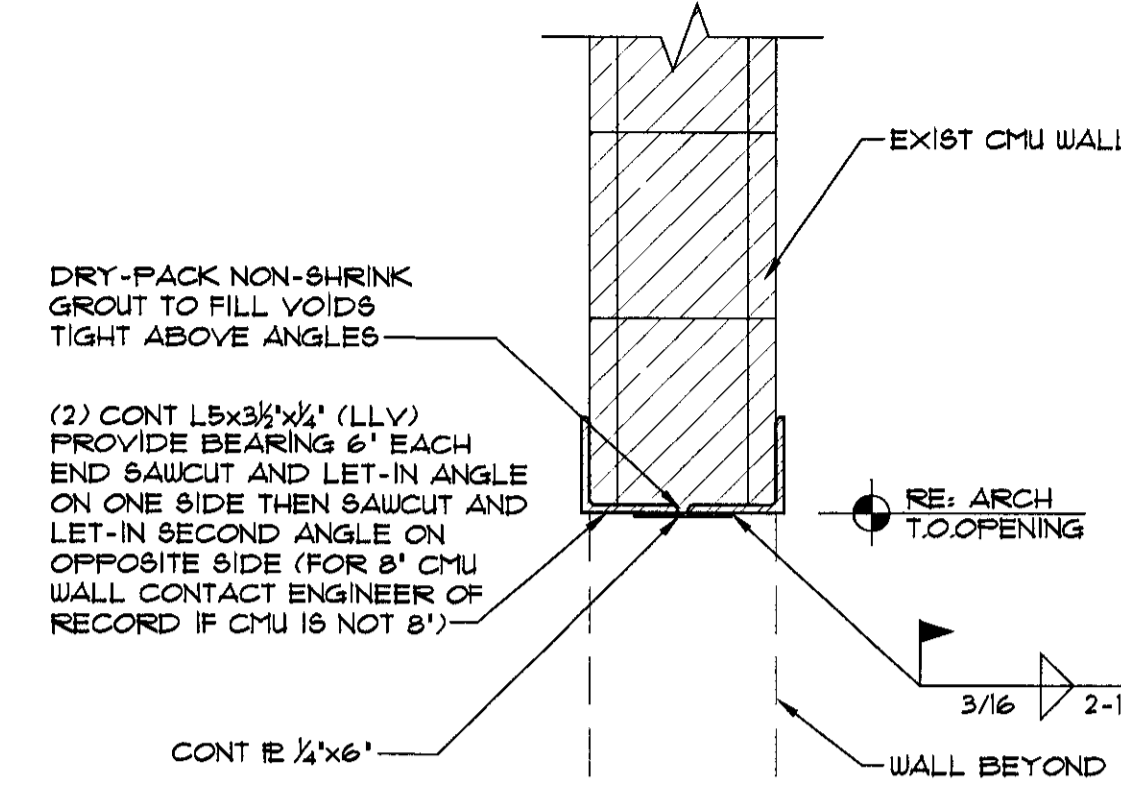
1 ROOF FRAMING DETAIL
S3 SCALE: 3/4" = 1'-0"



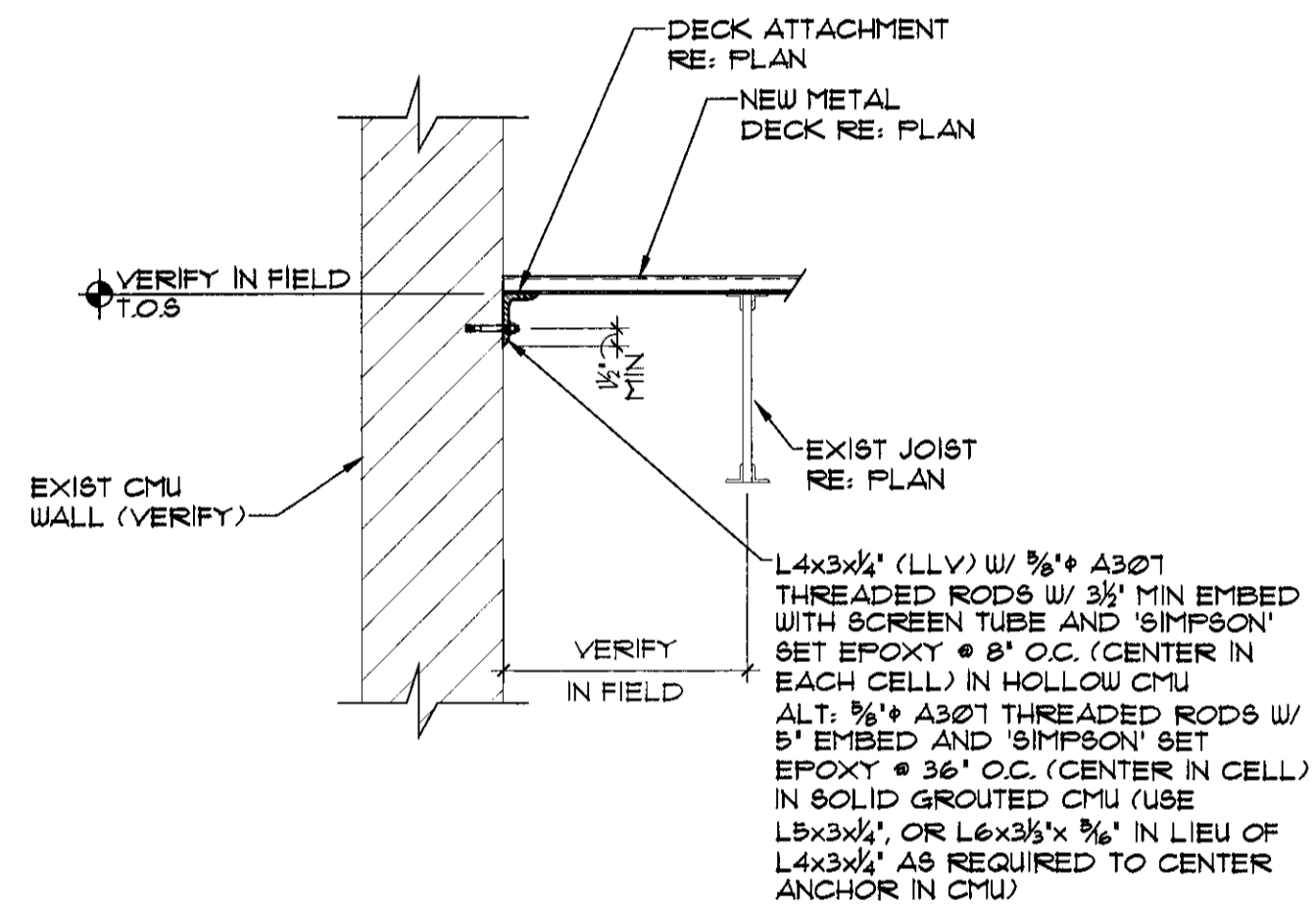
2 ROOF FRAMING DETAIL
S3 SCALE: 3/4" = 1'-0"

LOOSE LINTEL SCHEDULE		
SPAN	LINTEL SIZE	BRG
0' to 1'-4"	1/4" FLATE	4"
1'-4" to 3'-6"	L3 1/2" x 3" x 1/4" (LL.V.)	4"
3'-6" to 4'-6"	L3 1/2" x 3 1/2" x 1/4" (LL.V.)	6"
4'-6" to 5'-6"	L4 x 3 1/2" x 1/4" (LL.V.)	6"
5'-6" to 7'-0"	L5 x 3 1/2" x 3/8" (LL.V.)	6"
7'-0" to 8'-6"	L6 x 3 1/2" x 3/8" (LL.V.)	8"
8'-6" to 11'-0"	L7 x 4" x 3/8" (LL.V.)	8"

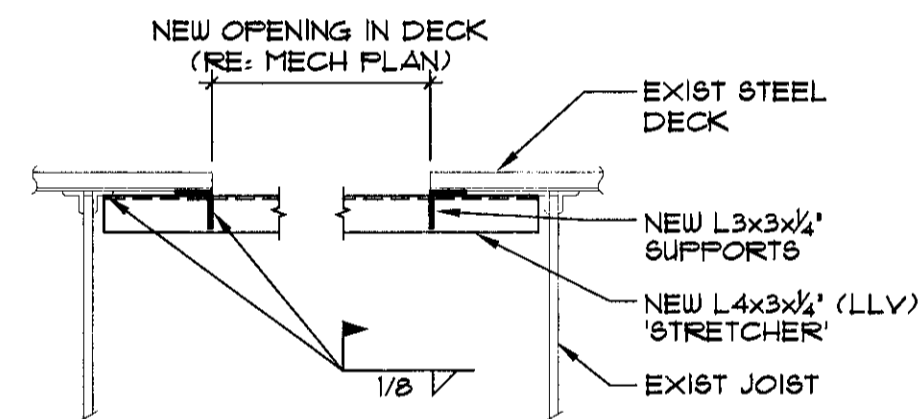
NOTES:
 1. (1) ANGLE FOR EACH 4' WYTHE OF MASONRY
 2. REFER TO ARCHITECTURAL & MECHANICAL DRAWINGS FOR LOCATION & SIZE OF OPENINGS
 3. BEARING DISTANCES SHOWN ABOVE ARE REQUIRED MINIMUMS AT EACH END OF LINTEL
 4. USE ABOVE SCHEDULE UNLESS NOTED OTHERWISE ON PLANS



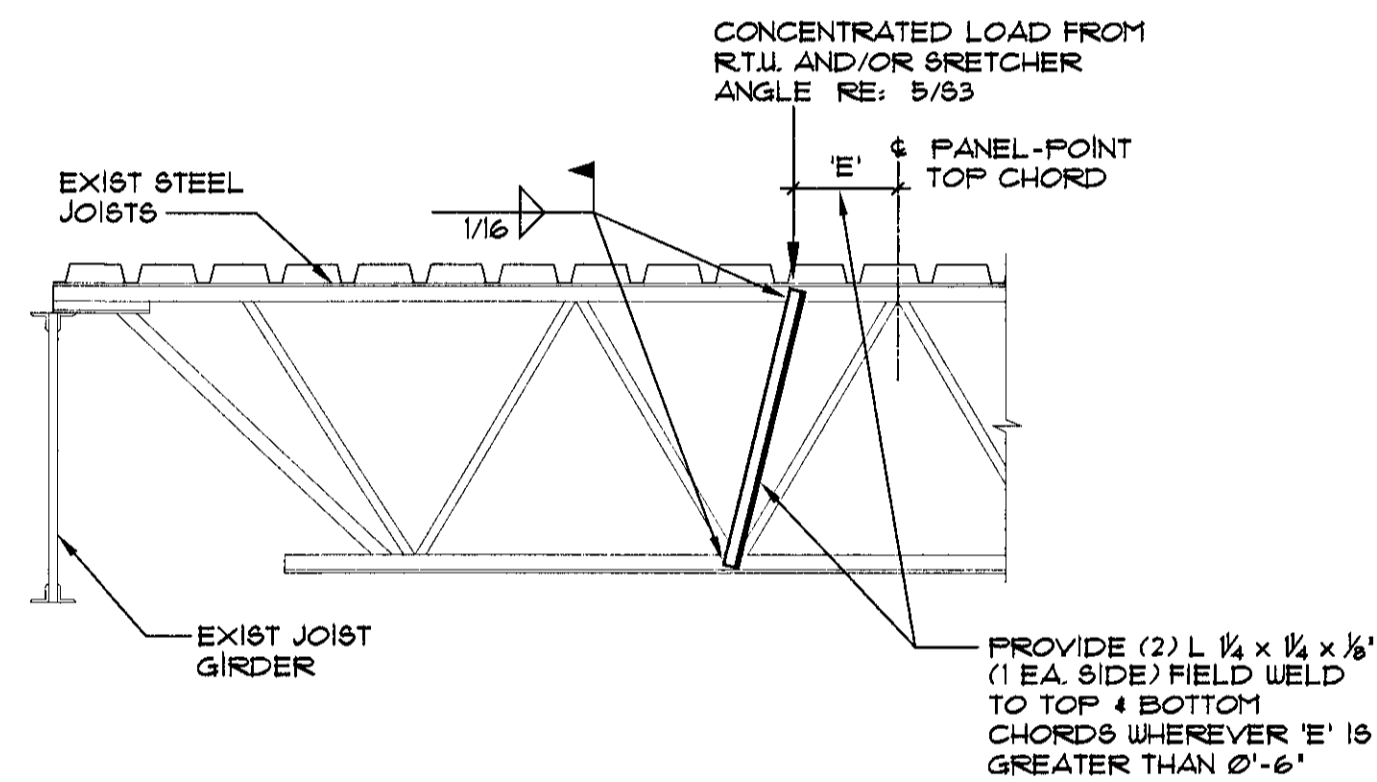
3 LINTEL DETAIL
S3 SCALE: 1" = 1'-0"



4 ROOF FRAMING DETAIL
S3 SCALE: 3/4" = 1'-0"



5 TYP REINFORCEMENT FOR NEW OPENING IN ROOF DECK
S3 SCALE: 3/4" = 1'-0"



6 EXIST JOIST REINFORCEMENT FOR NEW H.V.A.C. SUPPORT
S3 SCALE: 3/4" = 1'-0"



Colorado Springs (Main Office)
 2810 Austin Bluffs Parkway
 Colorado Springs, CO 80906
 Voice (719) 548-8084
 Fax (719) 548-0223
 Eagle County
 510 Nottingham Rd #43
 Post Office Box 7026
 Leadville, CO 80451
 Voice (970) 949-1970
 Fax (970) 949-1179
 Summit County
 202 Main Street #22
 Post Office Box 4028
 Frisco, Colorado 80443
 (970) 668-4500 Fx (970) 668-4506

ISSUED FOR CONSTRUCTION
 10/1/09

DILLON CAMPUS ADDITION
 333 FIEDLER AVE
 DILLON, COLORADO
 COLORADO MOUNTAIN COLLEGE

ENGINEER: EJ
 DRAWN BY: CL/AR
 CHECKED BY: MW
 PRINTING: DATE:
 CD 10-1-09

REVISION: DATE:

FRAMING
 DETAILS

SHEET No.
S3 OF 3
 JOB No. 122674