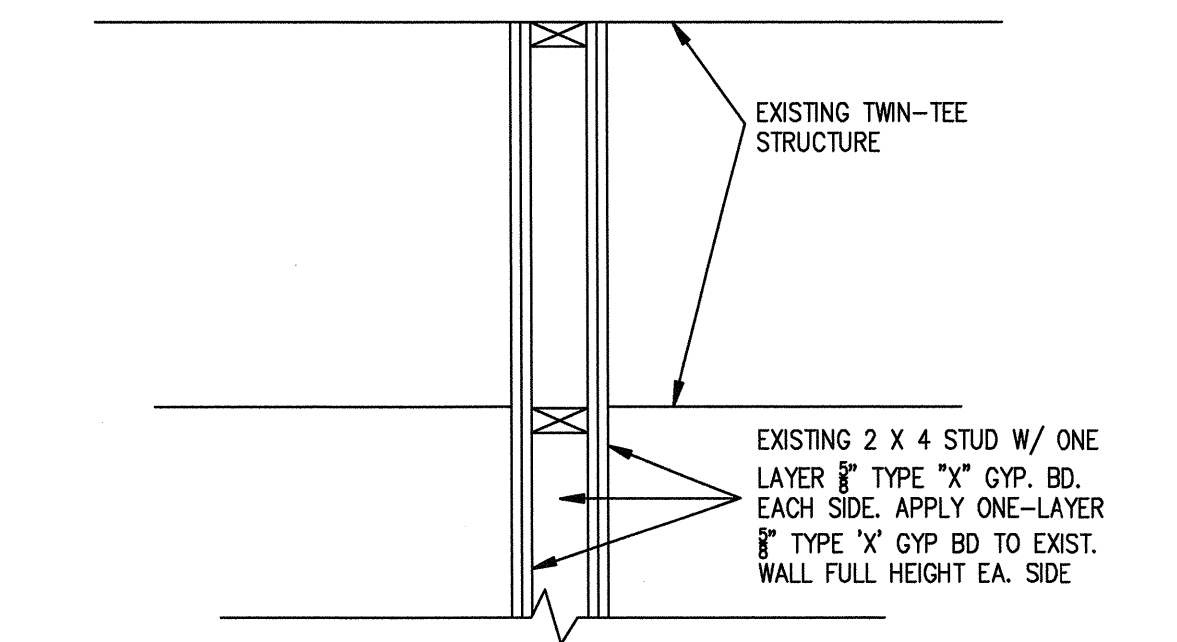


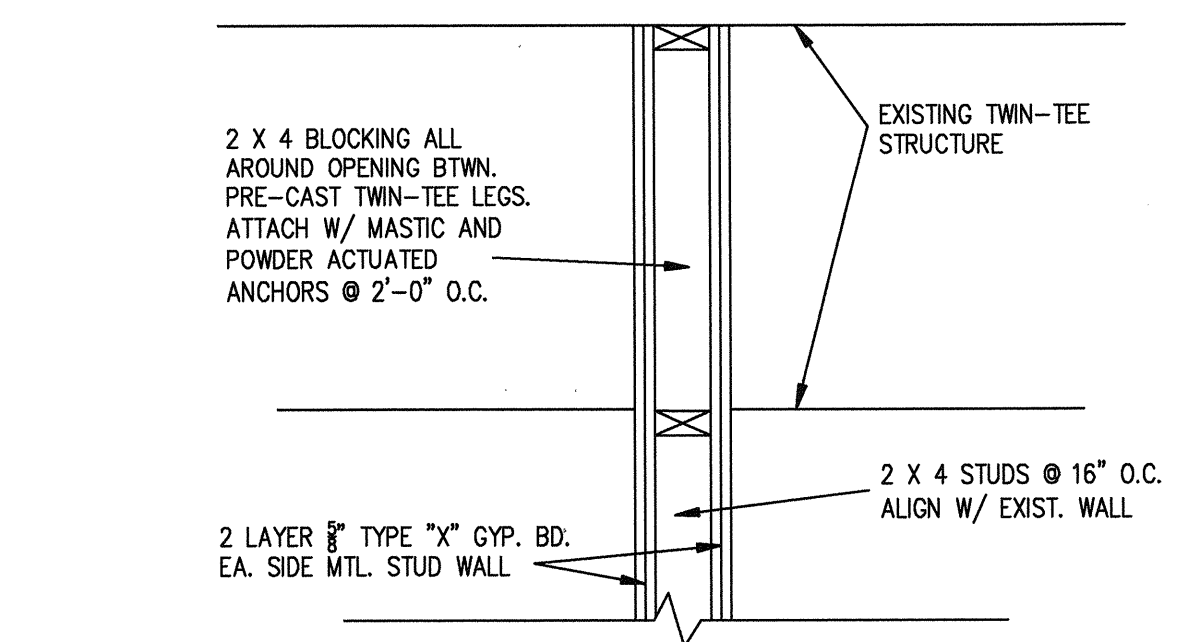
Copyright © 2010 by CAI Design Group Inc. All rights reserved. This drawing is the property of CAI Design Group Inc. and shall remain the property of CAI Design Group Inc. No part of this drawing may be reproduced, stored in a retrieval system, or transmitted in any form or by any means, electronic, mechanical, photocopying, recording, or by any information storage and retrieval system, without the prior written permission of CAI Design Group Inc.

GENERAL NOTES

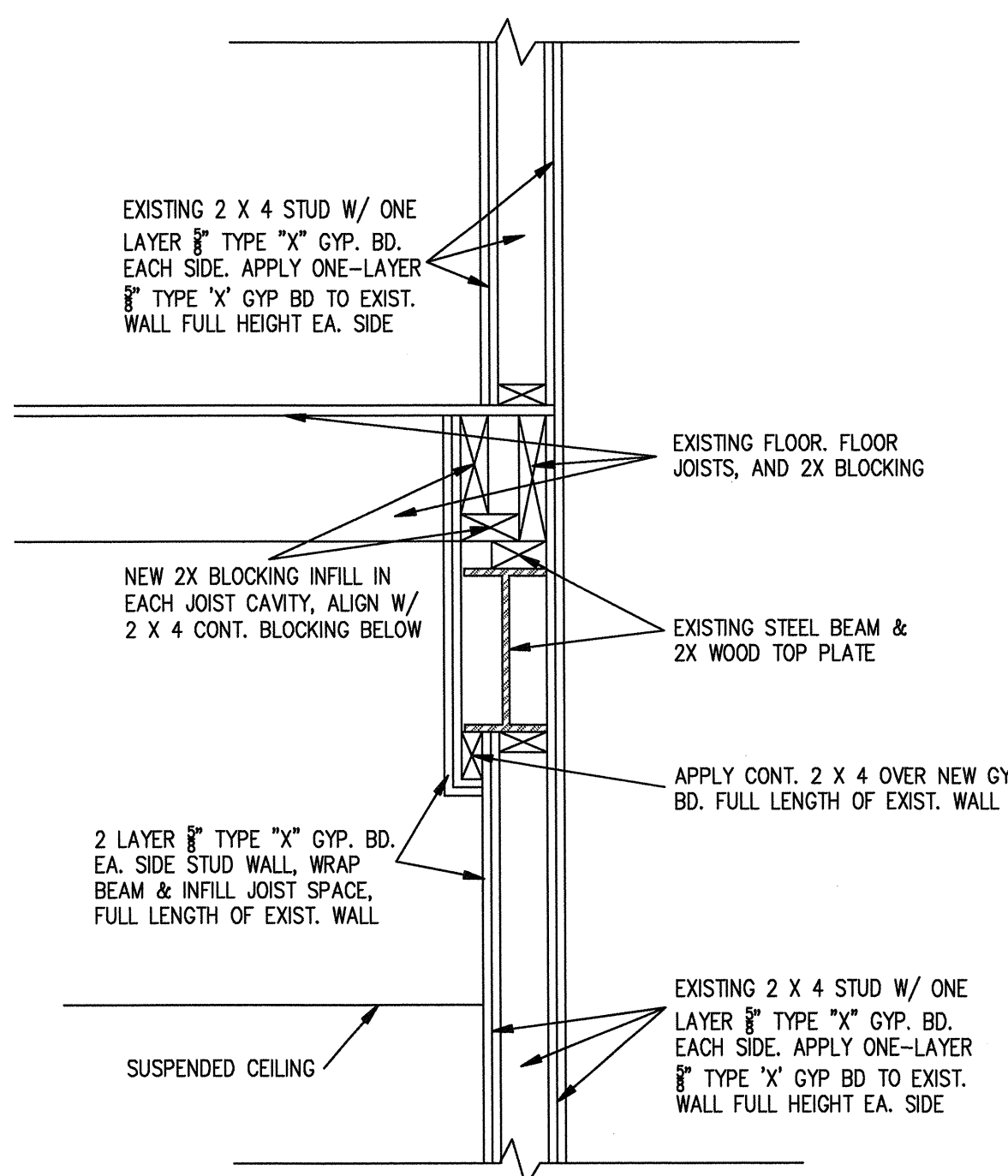
- THESE DRAWINGS ARE DIAGRAMMATIC AND MAY NOT CONVEY ALL PHYSICAL DETAILS. HOWEVER, WRITTEN DIMENSIONS ALWAYS TAKE PRECEDENCE. THESE DRAWINGS ARE NOT TO BE SCALED.
- UNLESS OTHERWISE NOTED, PLAN DIMENSIONS ARE TO NOMINAL SURFACE OF MASONRY AND/OR CONCRETE. DIMENSIONS TO STUD WALLS ARE TO FINISHED SURFACE.
- "FINISHED FLOOR" REFERS TO TOP OF CONCRETE SLABS. FOR DEPRESSED FLOOR, PADS AND CURBS REFER TO STRUCTURAL DRAWINGS.
- REPEITIVE FEATURES ARE NOT DRAWN IN THEIR ENTIRETY AND SHALL BE COMPLETELY PROVIDED AS IF DRAWN IN FULL.
- REFER TO ARCHITECTURAL, CIVIL, MECHANICAL, ELECTRICAL AND OTHER CATEGORIES OF DRAWINGS FOR ADDITIONAL NOTES.
- VERIFY AND COORDINATE ALL ROUGH-IN AND SUBSTRATE DIMENSIONS FOR REQUIRED EQUIPMENT (PADS, CURBS, ETC.) PROVIDED FOR IN THIS CONTRACT, OR BY OTHERS.
- VERIFY AND COORDINATE THE SIZE AND LOCATION OF, AND PROVIDE ALL OPENING THROUGH FLOORS AND WALLS, ACCESS DOORS, FURRING, CURBS, ANCHORS AND INSERTS. PROVIDE ALL BASES, BLOCKING REQUIRED FOR ACCESSORIES, MECHANICAL, ELECTRICAL AND OTHER EQUIPMENT.
- THE GENERAL CONTRACTOR IS RESPONSIBLE FOR FIELD VERIFYING ALL CONDITIONS, DIMENSIONS AND BUILDING ELEVATION MEASUREMENTS. ALL DISCREPANCIES FOUND SHALL BE BROUGHT TO THE ATTENTION OF THE ARCHITECT PRIOR TO FURTHER CONSTRUCTION. IF NOT REPORTED TO THE ARCHITECT, THE GENERAL CONTRACTOR ASSUMES ALL RESPONSIBILITY FOR ANY DEVIATION FROM THESE CONSTRUCTION DOCUMENTS.
- THE SUBMISSION OF A BID BY THE CONTRACTOR WILL BE CONSTRUED AS EVIDENCE THAT THE CONTRACTOR, AND ALL SUBS HIRED BY THE CONTRACTOR, HAVE FAMILIARIZED THEMSELVES WITH THE ARCHITECTURAL, MECHANICAL, ELECTRICAL PLUMBING, STRUCTURAL & FIRE PROTECTION WITHIN THIS SET OF DOCUMENTS, AS WELL AS THE BUILDING SITE. INFORMATION PRESENTED IN THESE DRAWINGS ARE DIAGRAMMATIC, THEY DO NOT NECESSARILY REPRESENT ALL ELBOWS, OFFSETS, HANGERS, CAULKING, WIRING AND MATERIALS THAT WILL BE NEEDED IN ORDER TO PROVIDE FINISHED SYSTEMS TO COMPLETE A BUILDING. CONTRACTOR IS TO PROVIDE ALL MATERIALS, LABOR AND EQUIPMENT NECESSARY TO COMPLETE A FINISHED OPERATIONAL BUILDING.
- INFORMATION PRESENTED IN THESE DRAWINGS IS DIAGRAMMATIC IN NATURE. IT DOES NOT NECESSARILY REPRESENT ALL ELBOWS, OFFSETS, HANGERS, SUPPORTS, ETC. REQUIRED FOR A COMPLETE WORKING SYSTEM. PROVIDE ALL MATERIALS AND LABOR NECESSARY FOR A COMPLETELY FINISHED AND OPERATIONAL SYSTEM.
- CONTRACTOR SHALL NOTIFY ARCHITECT OF ALTERATIONS OR CHANGES TO FIELD CONDITIONS REQUIRED BY THE OWNER.
- ALL MATERIALS & EQUIPMENT PROVIDED AND / OR INSTALLED SHALL BE GUARANTEED FOR A PERIOD OF ONE (1) YEAR UNLESS OTHERWISE INDICATED FROM THE DATE OF FINAL ACCEPTANCE OF THE WORK BY THE OWNER. ANY DEFECTIVE MATERIALS OR INFERIOR WORKMANSHIP SHALL BE CORRECTED TO THE ENTIRE SATISFACTION OF THE OWNER. ALL MATERIALS SHALL BE NEW AND CONSISTENT WITH NORMAL CONSTRUCTION STANDARDS.
- THE SUBMISSION OF A PROPOSAL BY THE CONTRACTOR WILL BE CONSTRUED AS EVIDENCE THAT THE CONTRACTOR HAS FAMILIARIZED HIMSELF WITH THE PLANS & BUILDING SITE. CLAIMS MADE SUB-SEQUENT TO THE PROPOSAL FOR MATERIALS & LABOR BECAUSE OF DIFFICULTIES ENCOUNTERED WILL NOT BE RECOGNIZED IF THEY COULD HAVE BEEN FORESEEN HAD PROPER EXAMINATION BEEN MADE.
- WIRE BRUSH CLEAN, PRIME & PAINT ALL NEW EXPOSED STEEL.



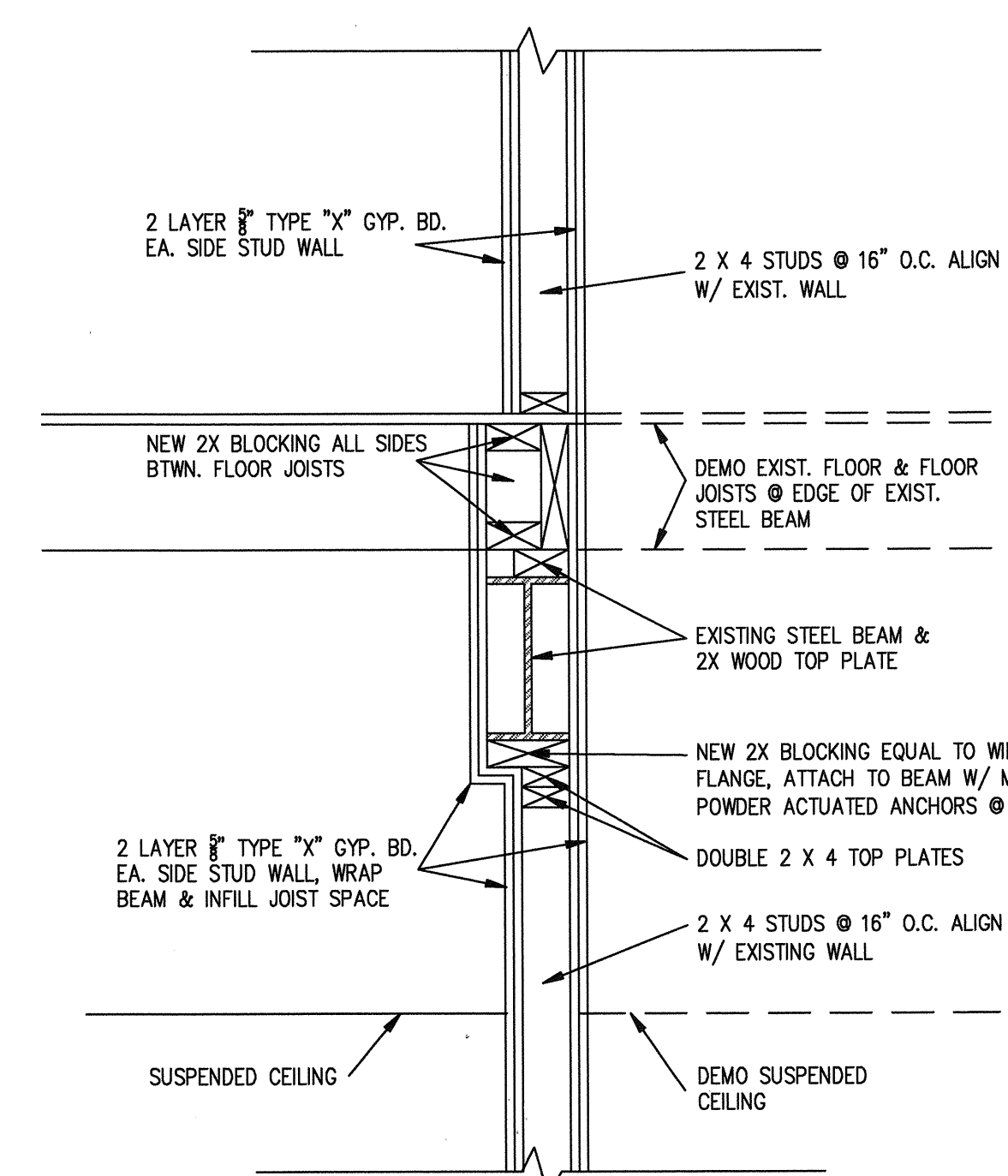
F - WALL DETAIL
SCALE: 1" = 1'-0"



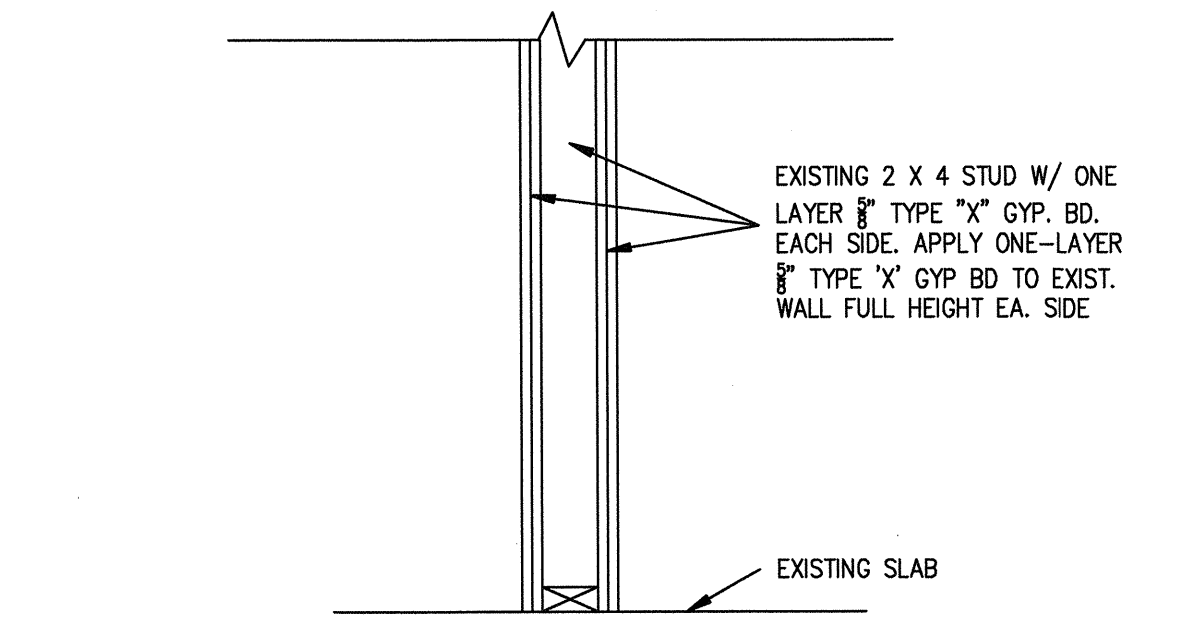
C - WALL DETAIL
SCALE: 1" = 1'-0"



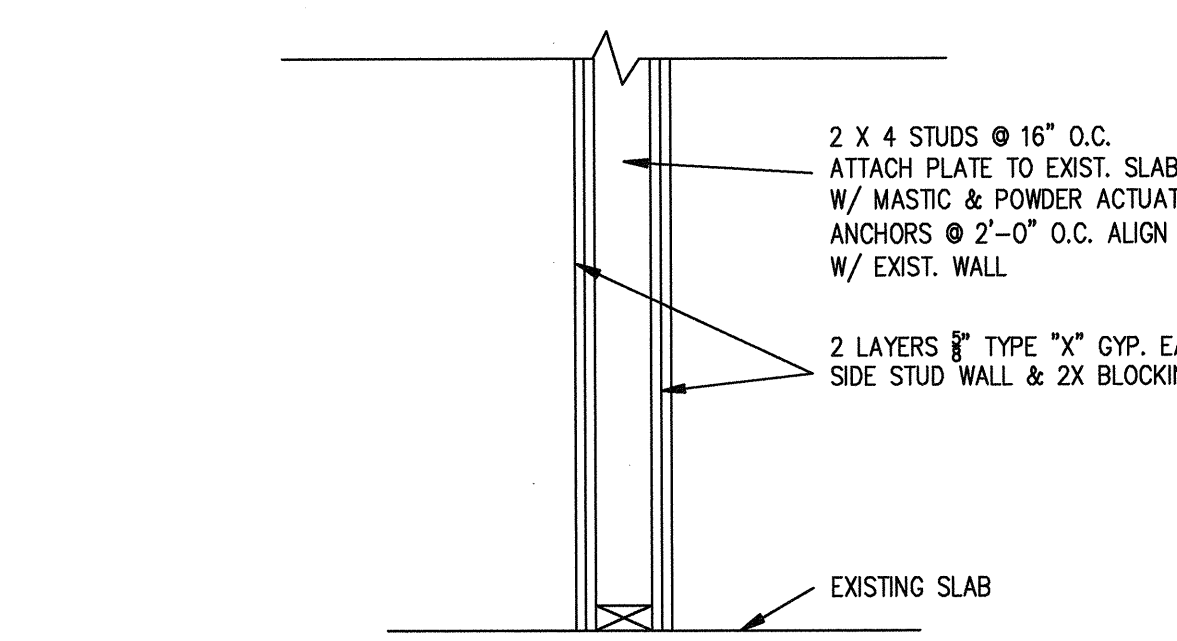
E - WALL DETAIL
SCALE: 1/2" = 1'-0"



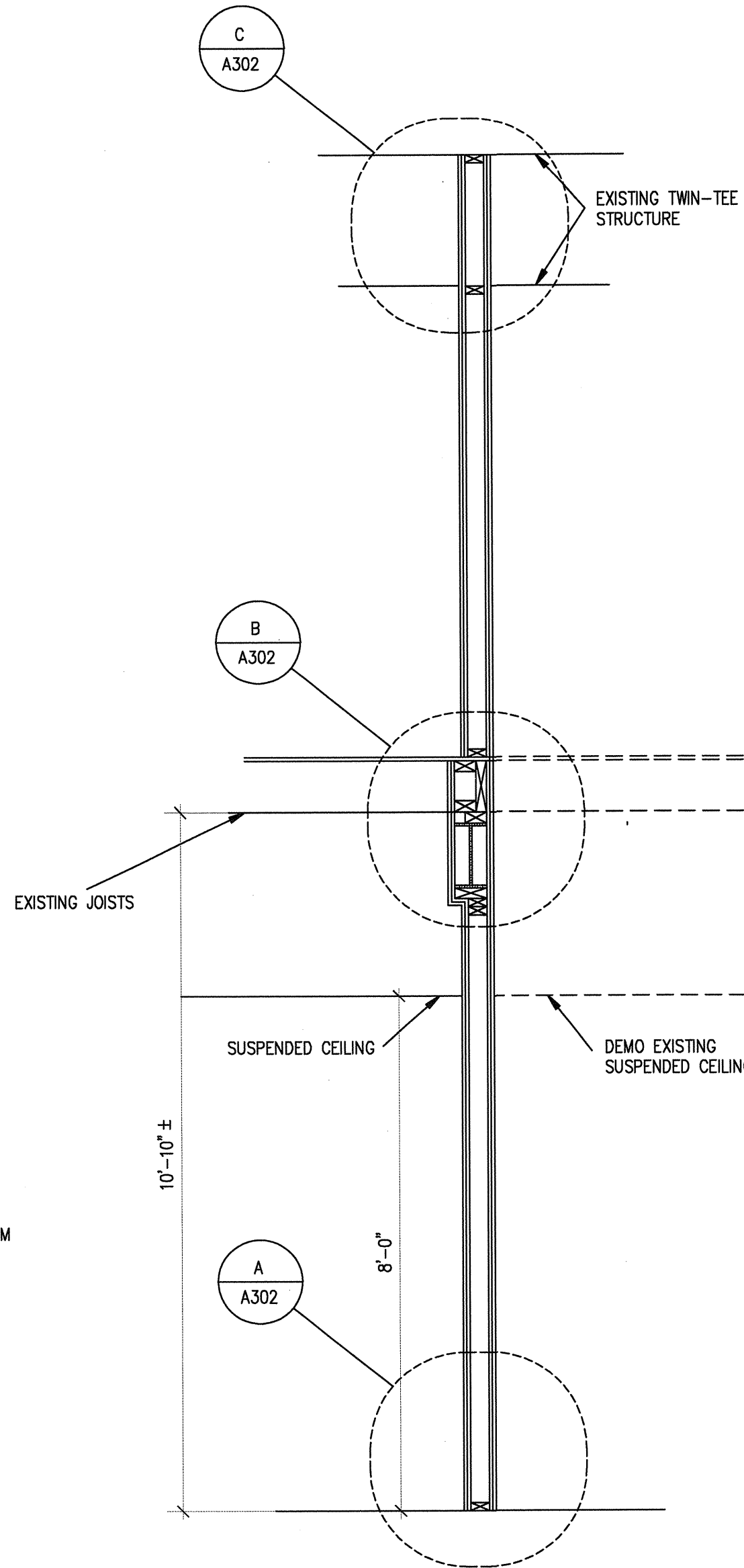
B - WALL DETAIL
SCALE: 1" = 1'-0"



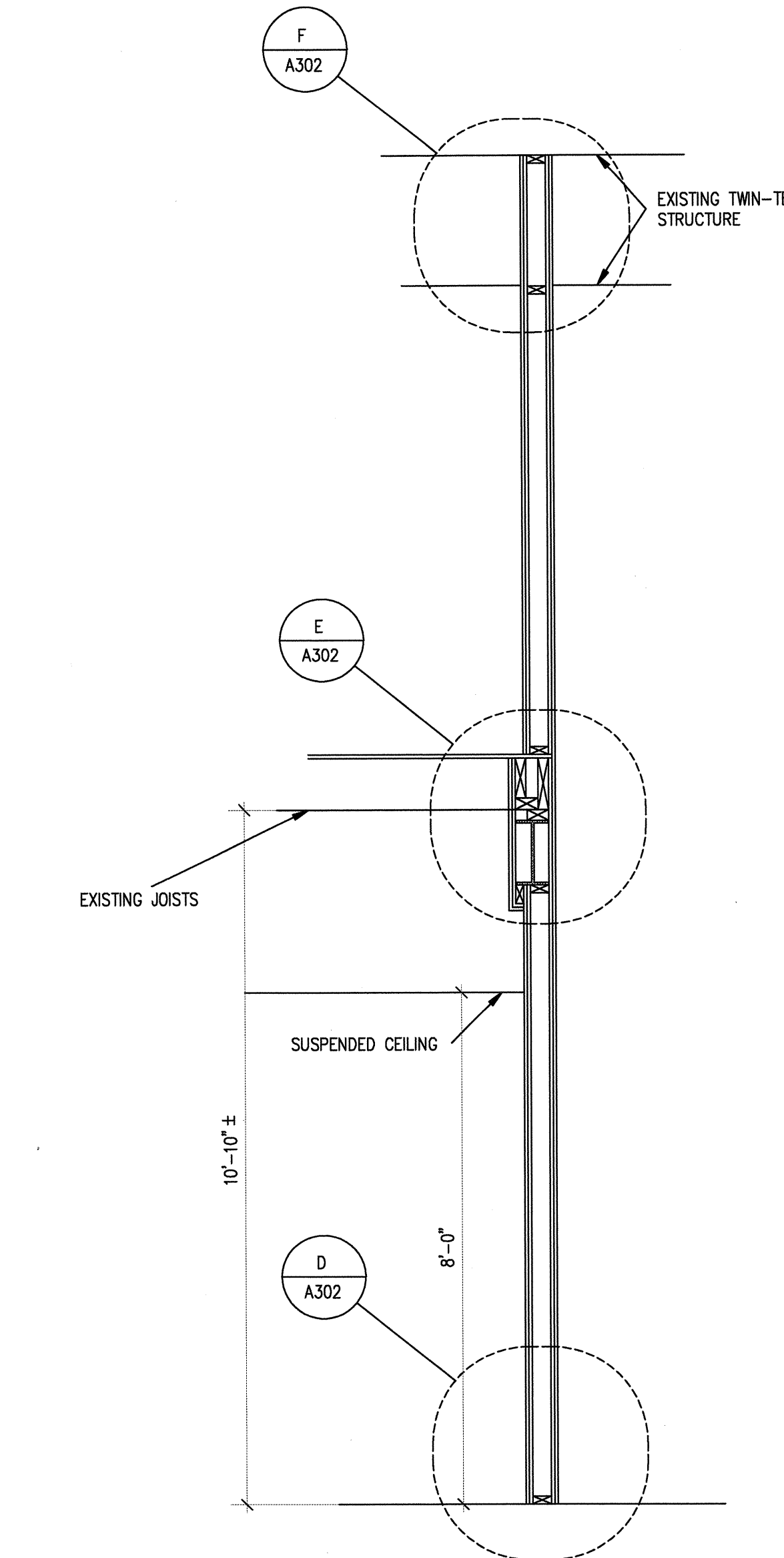
D - WALL DETAIL
SCALE: 1" = 1'-0"



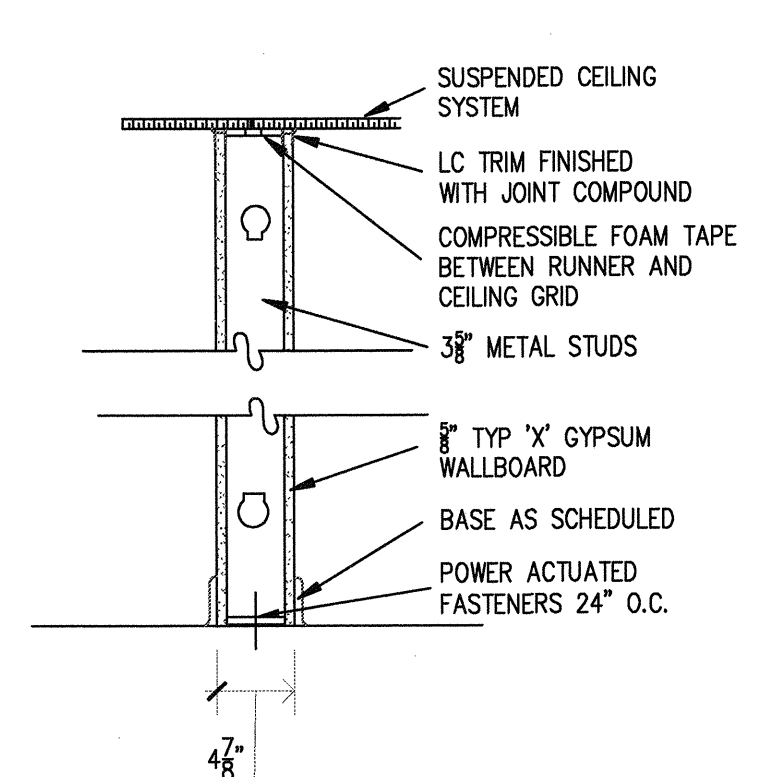
A - WALL DETAIL
SCALE: 1" = 1'-0"



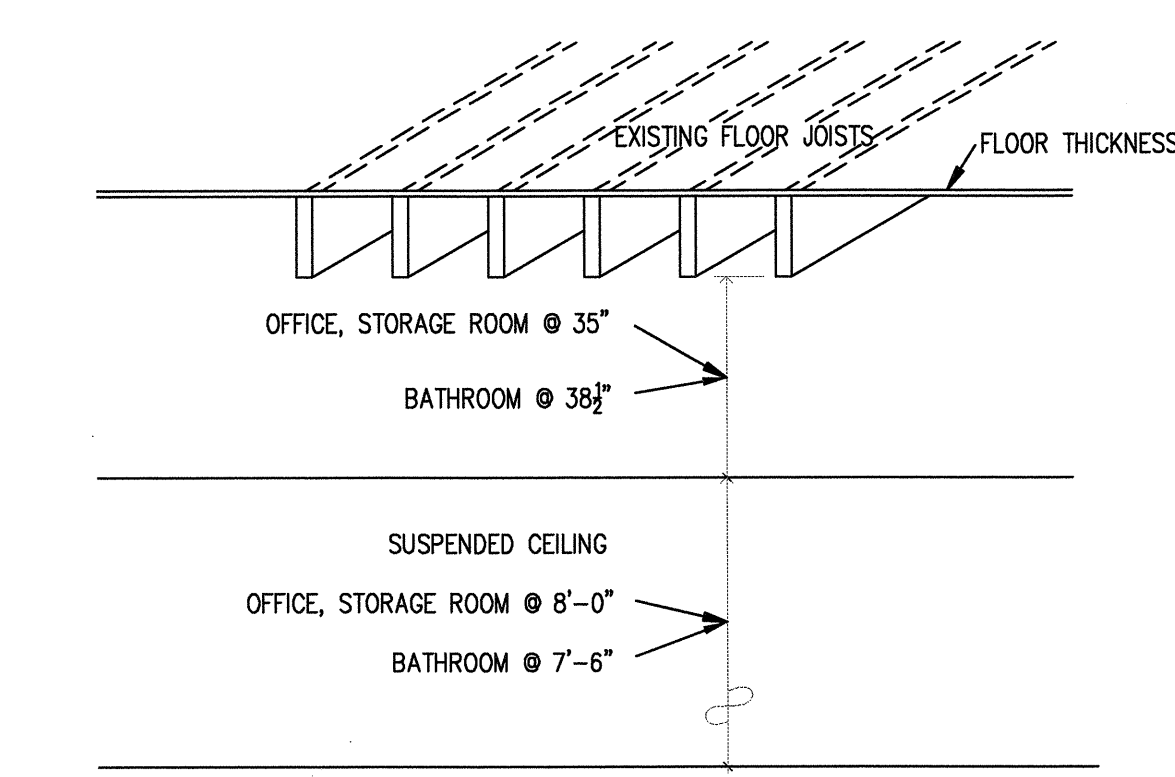
1 - 2-HOUR WALL SECTION
SCALE: 1/2" = 1'-0"



2 - EXISTING WALL SECTION
SCALE: 1/2" = 1'-0"



3 - INTERIOR WALL SECTION
SCALE: 1" = 1'-0"



OFFICE AREA CEILING DETAIL
SCALE: 1/2" = 1'-0"

CAI DESIGN GROUP INC.
 ARCHITECTS / ENGINEERS / CONSTRUCTION MANAGEMENT
 1440 10th Street - Suite A - Aurora, CO 80010
 PHONE: 303-341-1421
 E-MAIL: info@caidesign.com

870 PARFET STREET
 CITY OF LAKEWOOD
 COLORADO 80215

Issue Record:	
CD SET	02/15/10
Designed By:	Drawn By:
DW/CAF	CAF
Date:	Approved By:
01/28/10	SK
Project No.:	File Name:
Sheet Title:	
SECTIONS & DETAILS	
Sheet Number:	
A302	
SHEET of	